



FumeGard NU-164 **by-pass fume hood**

Constructed of stress-relieved polypropylene, the FumeGard NU-164 has a by-pass (protected by a grill) which maintains a constant volume of airflow. As the sash is closed, air is by-passed at the top of the hood, causing the hood face velocity to increase much more slowly than a conventional fume hood. A deflector vane across the bottom of the opening directs airflow across the work surface. This provides a permanent opening even when the sash is closed. Most of the exhausted air enters the fume hood through the by-pass. The eye-level Control Center has on/off switches for exterior mounted fluorescent light or optional electrical devices (outlets, window alarms, night setback controls, or exhaust blower interlock systems).

The cabinet is designed to sit on existing casework or a NuAire polypropylene base. The NU-164 can be designed to meet your specific laboratory requirements.

Standard Features

- Superstructure Constructed from 1/2" (13 mm) Stress Relieved, All Seam Welded Polypropylene
- All Negative Pressure Interior
- Air By-Pass for More Uniform Face Velocity During View Screen Manipulation
- Sealed Interior Fluorescent Lighting: 100 Foot-Candles (1076 LUX)
- Electronic Fluorescent Lamp Ballast
- Counterbalanced Lexan® View Screen Slides 18" (457 mm) Maximum Opening to Fully Closing
- Flush Mounted Exterior/Interior Plumbing Chase Access Panels
- Polypropylene Service Valves (Except Natural Gas)
- Connection Provided for Venting a Base Cabinet
- Rear Baffle Removable for Maintenance
- Reinforced 1/2" (13 mm) Polypropylene Work Surface
- Lower Work Access Opening Airfoil
- PVC Electrical Junction Box
- Modular Electrical Component Construction

Optional Features

- PVDF Lined Interior or Flame Retardant Polypropylene Fume Hood
- Composition Stone/Modified Epoxy Resin Work Surfaces
- Air Flow Alarm Systems
- Remote Controlled Service Valves for Gas, Air, Vacuum, Available in PVC, PVDF, Teflon® or Polypropylene*
- Cascade or Single Rinse Tanks with/without Nitrogen Purge
- Rear Exhaust Duct Wash-Down System
- Polypropylene, Teflon® or PVDF Gooseneck Faucets
- Custom Polypropylene Sinks with Chemically Resistant "P"-Trap
- Teflon®, PVDF, or Polypropylene Dip Tanks with/without Drains
- Polypropylene or PVDF Sinks with Hot/Cold or D.I. Water Faucets
- Teflon® Liquid/Air Aspirators to Syphon Chemicals
- D.I. Water or N2 Teflon® Spray Guns
- Exhaust Interlocks for Building Controls
- Polypropylene Exhaust Damper with Quadrant Lock
- Ground Fault Circuit Interrupter for Duplex Outlet(s)
- Additional Duplex Outlet(s) with PVC Covers

NU-164 Specifications

Overall Dimensions	4 ft Models	5 ft Models	6 ft Models	8 ft Models
Width	48 1/2" (1232 mm)	60 1/2" (1537 mm)	72 1/2" (1842 mm)	96 1/2" (2451 mm)
Depth (excludes removable canopy)	31 1/2"-37 1/2" (800-952 mm)	31 1/2"-37 1/2" (800-952 mm)	31 1/2"-37 1/2" (800-952 mm)	31 1/2"-37 1/2" (800-952 mm)
Height (includes exhaust collar)	60 1/2" (1537 mm)	60 1/2" (1537 mm)	60 1/2" (1537 mm)	60 1/2" (1537 mm)
Height (with base)	88 3/4" (2254 mm)	88 3/4" (2254 mm)	88 3/4" (2254 mm)	88 3/4" (2254 mm)
Work Area Dimensions				
Width	38 1/2" (978 mm)	50 1/2" (1283 mm)	62 1/2" (1588 mm)	86 1/2" (2197 mm)
Depth: 24" Work Surface	25 1/2" (648 mm)	25 1/2" (648 mm)	25 1/2" (648 mm)	25 1/2" (648 mm)
Depth: 30" Work Surface	31 1/2" (800 mm)	31 1/2" (800 mm)	31 1/2" (800 mm)	31 1/2" (800 mm)
Height	29" (737 mm)	29" (737 mm)	29" (737 mm)	29" (737 mm)
Shipping Weight**				
24" Work Surface	705 lbs (320 kg)	730 lbs (332 kg)	825 lbs (375 kg)	1265 lbs (575 kg)
30" Work Surface	756 lbs (344 kg)	839 lbs (381 kg)	900 lbs (409 kg)	1325 lbs (602 kg)
Airflow Characteristics				
Inflow Velocity	105 LFPM (0.53 m/s)	105 LFPM (0.53 m/s)	105 LFPM (0.53 m/s)	105 LFPM (0.53 m/s)
Exhaust Volume (window full open)	506 cFM (860 cMH)	665 cFM (1130 cMH)	823 cFM (1399 cMH)	1140 cFM (1938 cMH)
Exhaust Static	0.3" (8 mm) w.g.	0.4" (10 mm) w.g.	0.5" (13 mm) w.g.	0.8" (20 mm) w.g.
Exhaust Duct Opening	12" diameter (305 mm)	12" diameter (305 mm)	12" diameter (305 mm)	12" diameter (305 mm)
Electrical Requirements***				
Volts AC, 60 Hz	115	115	115	115
Optional 230 VAC	230 50 Hz	230 50 Hz	230 50 Hz	230 50 Hz
Lights (Amps)	1	1	1	1
Amps @ Optional 230 VAC	1/2	1/2	1/2	1/2
Outlet (Amps)	15	15	15	15
Amps @ Optional 230 VAC	10	10	10	10

* Metallic pipe, required for natural gas, or any other metallic surface, is coated with a 20-mil thickness of thermoplastic powder PolyArmor®

** Includes fume hood base cabinet. The leg levelers, easy-to-clean handles, hinges and screws are all made of polypropylene. Each solid polypropylene door has adjustable ventilation air vents and is secured with an easy-to-open concealed magnetic latch.

*** For electrical connections PVC junction box is provided.



NU-55 Fume Hood Base polypropylene fume hood bases

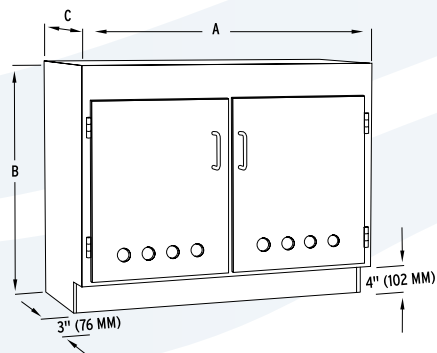
The NU-55 Fume Hood Base is available as an option for NuAire polypropylene fume hoods. The NU-55 is constructed from long-lasting, corrosive-resistant, white polypropylene. The outer cabinet shell, kick panel, and shelves are constructed using 1/2 inch (13 mm) polypropylene. The rear access panels use 1/4 inch (6 mm) polypropylene.

The entire cabinet is totally seam welded and reinforced with polypropylene supports to ensure the cabinets' ability to withstand the weight of the FumeGard Fume Hood. All bases come with adjustable leg levelers with 1 1/4 inch (32 mm) maximum adjustment.



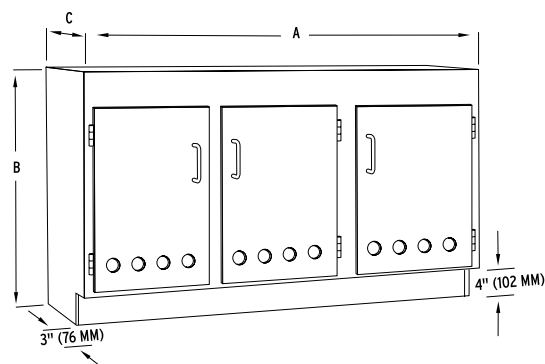
NU-55 4 ft Fume Hood Base

Overall Dimensions	Width (A)	Height (B)	Depth (C)
NU-55-424	48 1/2" (1232 mm)	28 1/4" (718 mm)	26" (660 mm)
NU-55-430	48 1/2" (1232 mm)	28 1/4" (718 mm)	32" (813 mm)



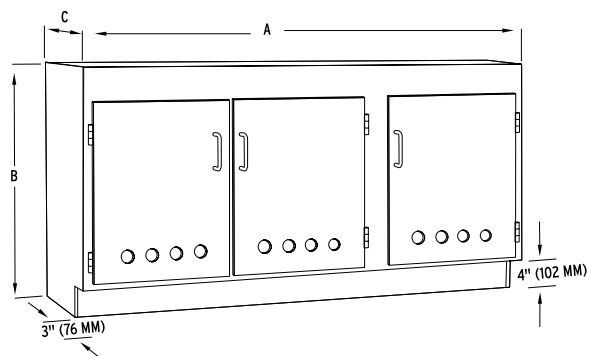
NU-55 5 ft Fume Hood Base

Overall Dimensions	Width (A)	Height (B)	Depth (C)
NU-55-524	60 1/2" (1537 mm)	28 1/4" (718 mm)	26" (660 mm)
NU-55-530	60 1/2" (1537 mm)	28 1/4" (718 mm)	32" (813 mm)



NU-55 6 ft Fume Hood Base

Overall Dimensions	Width (A)	Height (B)	Depth (C)
NU-55-624	72 1/2" (1842 mm)	28 1/4" (718 mm)	26" (660 mm)
NU-55-630	72 1/2" (1842 mm)	28 1/4" (718 mm)	32" (813 mm)



NU-55 8 ft Fume Hood Base

Overall Dimensions	Width (A)	Height (B)	Depth (C)
NU-55-824	96 1/2" (2451 mm)	28 1/4" (718 mm)	26" (660 mm)
NU-55-830	96 1/2" (2451 mm)	28 1/4" (718 mm)	32" (813 mm)

